

User Guide | Guide de l'utilisateur | Guía del Usuario

**INSIGNIA<sup>®</sup>**

Clock Radio with iPod Docking Station  
Radio-réveil avec station d'accueil pour iPod  
Radio reloj con estación de acoplamiento para iPod

**NS-C2000**





# Insignia NS-C2000

## Clock Radio with iPod Docking Station

### Contents

Welcome . . . . .	3
Compatible iPod Models . . . . .	3
Safety information . . . . .	4
Features . . . . .	6
Setting up your clock radio . . . . .	9
Using your clock radio . . . . .	11
Legal notices . . . . .	14
90-Day Limited Warranty . . . . .	15
<b>Français . . . . .</b>	<b>17</b>
<b>Español . . . . .</b>	<b>33</b>

### Welcome

Congratulations on your purchase of a high-quality Insignia product. Your NS-C2000 represents the state of the art in clock radio design and is designed for reliable and trouble-free performance.

Your clock radio also has an iPod docking station that you can use to play iPod files or view iPod videos or photos.

### Compatible iPod Models

Refer to the number on the back of your iPod.

- 3G iPod: 10 GB, 15 GB, 20 GB, 30 GB, 40 GB
- 4G iPod: 40 GB and the U2 iPod 20 GB
- iPod mini: 4 GB, 6 GB
- iPod photo: 40 GB, 60 GB and the U2 iPod 20 GB, 30 GB
- iPod with video: 30 GB, 60 GB, 80 GB
- 1G iPod nano: 2 GB, 4 GB
- 2G iPod nano: 2 GB, 4 GB, 8 GB

# INSIGNIA® Insignia NS-C2000 Clock Radio with iPod Docking Station

## Safety information



This symbol indicates that dangerous voltage constituting a risk of electric shock is present within your docking station. This label is located on the back or bottom of your docking station.



This symbol indicates that there are important operating and maintenance instructions in the literature accompanying your clock radio.

**Warning**

To reduce the risk of fire or electric shock, do not expose your clock radio to rain or moisture.

**Warning**

Any use of the controls or an adjustment to the procedures other than those specified herein may result in hazardous radiation.

**Warning**

To reduce the risk of electric shock, do not remove the cover or back. There are no user-serviceable parts inside. Refer any servicing to qualified service personnel.

### ***Read instructions***

Read all the safety and operating instructions before you use your clock radio.

### ***Retain instructions***

Retain safety and operating instructions for future reference.

### ***Follow warnings and instructions***

Follow all warnings on your clock radio and in the operating instructions. Follow all operating and use instructions.

### ***Grounding or polarization***

Do not defeat the safety purpose of the polarized or grounding-type plug. A polarized plug has two blades with one wider than the other. A grounding type plug has two blades and a grounding prong. The wide blade or grounding prong are provided for your safety. If the plug does not fit, contact an electrician to replace the obsolete outlet.

### ***Placement***

When placing your clock radio on a lacquered or natural finish surface, protect your furniture with a cloth or other protective material.

Avoid exposure to direct sunlight, temperature extremes, and moisture.

### ***Ventilation***

Slots and openings in the cabinet and the back or bottom are provided for ventilation, reliable operation, and protection from overheating. These openings must not be blocked or covered. Do not block the openings by placing your clock radio on a bed, sofa, rug, or other similar surface.

### ***Water and moisture***

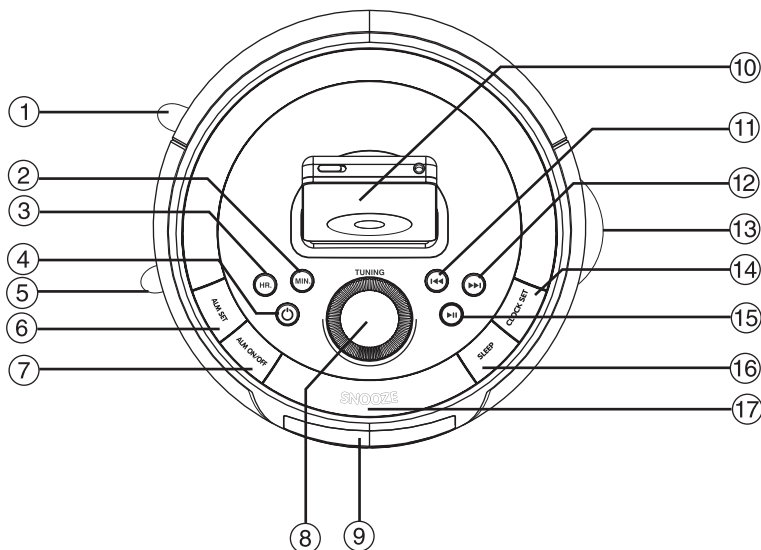
Do not use your clock radio near water. For example, do not use it near a bath tub, wash bowl, kitchen sink, or laundry tub, in a wet basement, or near a swimming pool.


Do not let water splash or drip onto your clock radio. Do not place objects containing liquids, such as a vase, on top of your clock radio.

# INSIGNIA® Insignia NS-C2000 Clock Radio with iPod Docking Station

## Features

### Top panel

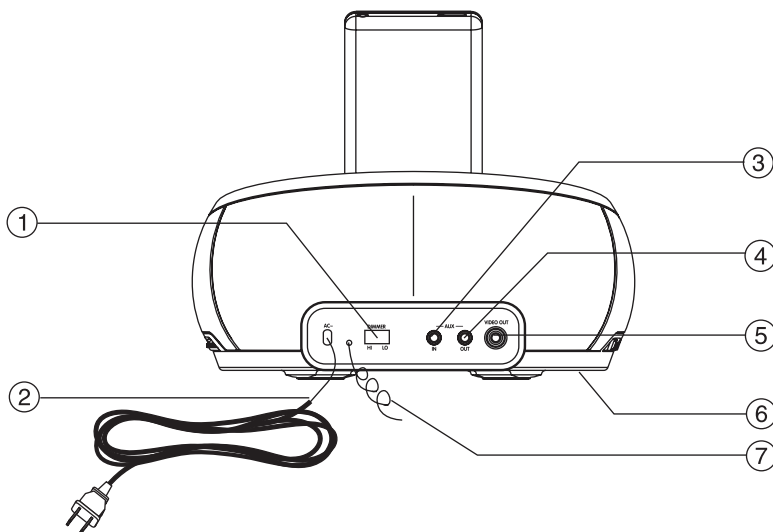


No.	Feature	Description
1	Buzzer/Radio/iPod/Aux	Slide to select the alarm mode. You may select Buzzer, Radio, iPod, or AUX
2	MIN	Press to set the minutes.
3	HR	Press to set the hour.
4	POWER 	Press to turn your clock radio on and off.
5	AM/FM/iPod/AUX	Slide to set your clock radio mode.
6	ALM SET	Press with the MIN (minute) and HR (hour) buttons to set the alarm.
7	ALM ON/OFF	Press to turn the alarm on and off. Press to turn off the alarm sound.
8	TUNING	Turn to select radio station.
9	LCD display	Displays information about your clock radio, such as the time, iPod docking status, alarm status, and radio frequency.

No.	Feature	Description
10	iPod slot	Insert the iPod into this slot with the display facing out.
11	REV ◀◀	Press to skip to a previous track. Press and hold to fast-reverse through a track. During iPod picture viewing, press to go back to the previous frame. For iPod movies, press to reverse quickly.
12	FWD ▶▶	Press to skip to the next track. Press and hold to fast-forward through a track. During iPod picture viewing, press to advance to the next frame. For iPod movies, press to fast forward.
13	Volume	Turn to increase or decrease the volume.
14	CLOCK SET	Press with the MIN and HOUR buttons to set the clock.
15	Play/Pause ▶	Press to start or pause iPod playback.
16	SLEEP	Press to set the sleep timer from 0-60 minutes.
17	SNOOZE	Press to delay the alarm sound in five minute intervals.

# INSIGNIA® Insignia NS-C2000 Clock Radio with iPod Docking Station

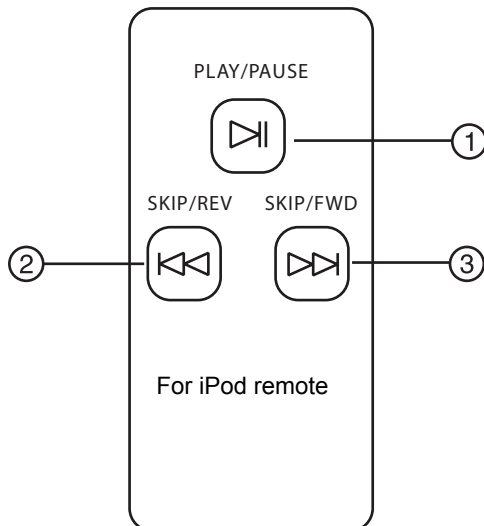
## Back



No.	Component	Description
1	DIMMER	Slide to adjust the brightness of the LCD display.
2	AC Power cord	Plug this cord into a power outlet.
3	AUX IN	Plug an iPod shuffle or other external audio device into this jack.
4	AUX OUT	Connect your clock radio to another device (such as a home theater) using this jack.
5	VIDEO OUT	Connect your clock radio to a video source (such as a TV) to view video from an iPod.
6	Battery compartment	Insert 2 AAA batteries (not included) into this compartment to provide backup for the clock and alarm settings in case of a power outage. The LCD display will not be on during battery backup.
7	FM antenna	Extend and adjust to improve FM radio frequency.



## Remote Control



No.	Button	Description
1	PLAY/PAUSE ►	Press to start or pause iPod playback.
2	SKIP/REV ◀◀	Press to skip to a previous track. Press and hold to fast-reverse through a track. During iPod picture viewing, press to go back to the previous frame. For iPod movies, press to reverse quickly.
3	SKIP/FWD ▶▶	Press to skip to the next track. Press and hold to fast-forward through a track. During iPod picture viewing, press to advance to the next frame. For iPod movies, press to fast forward.

## Setting up your clock radio

### Connecting the AC power cord

#### To connect the AC power cord:

- Plug the power cord into a power outlet.

# INSIGNIA® Insignia NS-C2000 Clock Radio with iPod Docking Station

## Installing batteries

### To install batteries:

- 1 Make sure that the power cord is unplugged.
- 2 Remove the battery compartment cover.
- 3 Insert two AAA batteries (not included) into the battery compartment. Make sure that you align the + and - symbols on the batteries with the + and - symbols inside the battery compartment.
- 4 Replace the battery compartment cover.

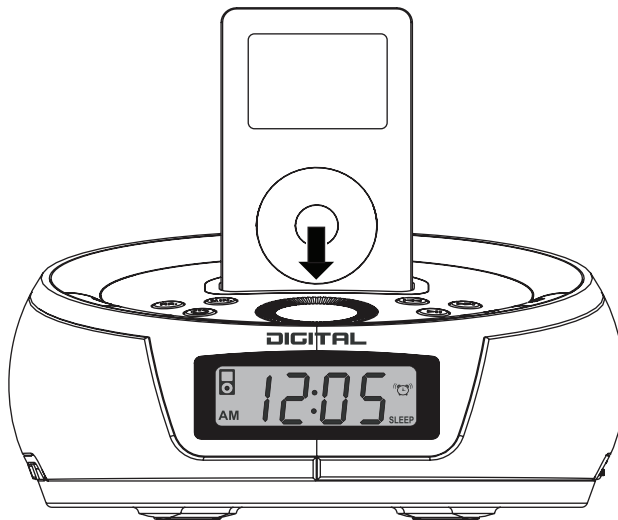
**Warning:** Danger of explosion if batteries are incorrectly installed. Replace with the same or equivalent type. The button cell battery contains mercury. Do not put the battery in the garbage. Recycle or dispose of as a hazardous waste.

## Connecting an iPod

You can connect an iPod (not included) to your clock radio so you can listen to the songs stored on your iPod.

### To connect an iPod:

- 1 Make sure your clock radio is turned off.




- 2 Insert the iPod into the docking station slot with the display facing out. For information about listening to the iPod, see "Listening to all other iPods" on page 12.

## Using your clock radio

### Turning your clock radio on and off

**To turn your clock radio on and off:**

- Press the **Power**  button on your clock radio.

### Setting the time

**To set the time:**

- 1 Make sure that your clock radio is turned off.
- 2 Press and hold the **CLOCK SET** button on your clock radio, then press the **HR** button to set the hour.
- 3 Press and hold the **CLOCK SET** button on your clock radio, then press the **MIN** button to set the minutes.

### Setting the alarm

**To set the alarm:**

- 1 Make sure that your clock radio is turned off.
- 2 Press and hold the **Alarm Set** button on your clock radio.
- 3 Press the **HR** and **MIN** button to set the hour and minute.
- 4 Slide the **Buzzer/Radio/iPod/Aux** switch to the desired alarm clock mode.

### Listening to the radio

**To listen to the radio:**

- 1 Make sure that your clock radio is turned off.
- 2 Slide the **AM/FM/iPod/Aux** switch to AM/FM.
- 3 Turn the **TUNING** dial to select a radio station.
- 4 If necessary, turn the **Volume** dial to adjust the volume.

### Improving reception

**To improve radio reception:**

- AM reception: Rotate your clock radio until the signal is clear.

# INSIGNIA®

Insignia NS-C2000 Clock Radio with iPod Docking Station

- FM reception: Extend the FM antenna, then adjust the angle until the signal is clear.

## Listening to the iPod shuffle

### To listen to the iPod shuffle:

- 1 Make sure that your clock radio is turned off.
- 2 Connect the line-in cable on the iPod shuffle to the **AUX IN** jack on your clock radio.
- 3 Slide the **Buzzer/Radio/iPod/Aux** switch to iPod/Aux.
- 4 Use the controls on the iPod shuffle to control playback.
- 5 If necessary, turn the **volume** dial to adjust the volume.

## Listening to all other iPods

### To listen to the iPod:

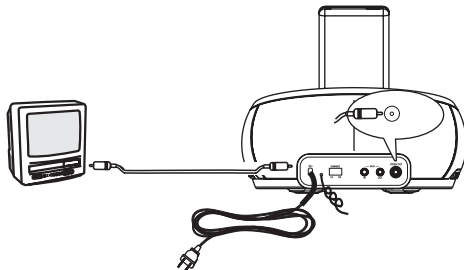
- 1 Make sure that your clock radio is turned off, then insert the iPod into the slot.
- 2 Turn on your clock radio.
- 3 Press the ►| button on your clock radio or remote control.
- 4 Press the ►||, |◀◀, and ►►| buttons to control iPod playback.
- 5 If necessary, turn the **volume** dial to adjust the volume.

## Viewing iPod video or photos

### To view iPod video or photos:

- 1 Make sure that your clock radio is turned off, then insert the iPod into the slot.

- 2 Plug a video cable (not included) into the **VIDEO OUT** jack on the back of your clock radio.



- 3 Plug the other end of the video cable in to the **VIDEO IN** jack on your video device.
- 4 Turn on your clock radio.
- 5 Press the **▶||** button on your clock radio or remote control.
- 6 If necessary, turn the **Volume** dial to adjust the volume.
- 7 Press the **▶||**, **◀◀◀**, and **▶▶▶** buttons to control iPod playback.

## Listening to other portable audio devices

### To listen to another portable audio device:

- 1 Make sure that your clock radio is turned off.
- 2 Connect the line-in cable on the audio device to the **Aux In** jack on your clock radio.
- 3 Slide the **Buzzer/Radio/iPod/Aux** switch to iPod/Aux.
- 4 Use the controls on the audio device to control playback.
- 5 If necessary, turn the **Volume** dial to adjust the volume.

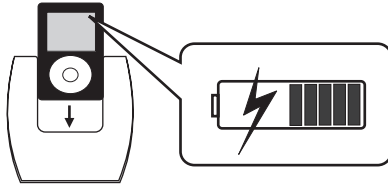
## Charging the iPod battery

### To charge the iPod battery:

- 1 Turn on your iPod.

# INSIGNIA® Insignia NS-C2000 Clock Radio with iPod Docking Station

- 2 Insert the iPod into the slot with the display facing out. When you insert the iPod, it goes into standby mode, then turns off. The battery charging indicator appears on the iPod display.



## Legal notices

### FCC Part 15

This device complies with Part 15 of the FCC Rules. Operation of this product is subject to the following two conditions: (1) this device may not cause harmful interference, and (2) this device must accept any interference received, including interference that may cause undesired operation.

This equipment has been tested and found to comply within the limits for a class B digital device, pursuant to Part 15 of the FCC Rules. These limits are designed to provide reasonable protection against harmful interference in a residential installation. This equipment generates, uses, and can radiate radio frequency energy and, if not installed and used in accordance with the instructions, may cause harmful interference to radio communications. However, there is no guarantee that interference will not occur in a particular installation. If this equipment does cause harmful interference to radio or television reception, which can be determined by turning the equipment off and on, the user is encouraged to try to correct the interference by one or more of the following measures:

- Reorient or relocate the receiving antenna.
- Increase the separation between the equipment and receiver.
- Connect the equipment into an outlet on a circuit different from that to which the receiver is connected.
- Consult the dealer or an experienced technician for help.

### FCC warning

Changes or modifications not expressly approved by the party responsible for compliance with the FCC Rules could void the user's authority to operate this equipment.

### Canada ICES-003 statement

This Class B digital apparatus complies with Canadian ICES-003.

### Copyright

© 2007 Insignia. Insignia and the Insignia logo are trademarks of Best Buy Enterprise Services, Inc. Other brands and product names are trademarks or registered trademarks of their respective holders. Specifications and features are subject to change without notice or obligation.

For service and support call (877) 467-4289.

iPod is a trademark of Apple Computer, Inc. registered in the U.S. and other countries.

## 90-Day Limited Warranty

Insignia Products ("Insignia") warrants to you, the original purchaser of this new **NS-C2000** ("Product"), that the Product shall be free of defects in the original manufacture of the material or workmanship for a period of 90 days from the date of your purchase of the Product ("Warranty Period"). This Product must be purchased from an authorized dealer of Insignia brand products and packaged with this warranty statement. This warranty does not cover refurbished Product. If you notify Insignia during the Warranty Period of a defect covered by this warranty that requires service, terms of this warranty apply.

### ***How long does the coverage last?***

The Warranty Period lasts for 90 days from the date you purchased the Product. The purchase date is printed on the receipt you received with the Product.

### ***What does this warranty cover?***

During the Warranty Period, if the original manufacture of the material or workmanship of the Product is determined to be defective by an authorized Insignia repair center or store personnel, Insignia will (at its sole option): (1) repair the Product with new or rebuilt parts; or (2) replace the Product at no charge with new or rebuilt comparable products or parts. Products and parts replaced under this warranty become the property of Insignia and are not returned to you. If service of Products or parts are required after the Warranty Period expires, you must pay all labor and parts charges. This warranty lasts as long as you own your Insignia Product during the Warranty Period. Warranty coverage terminates if you sell or otherwise transfer the Product.

### ***How to obtain warranty service?***

If you purchased the Product at a retail store location, take your original receipt and the Product to the store you purchased it from. Make sure that you place the Product in its original packaging or packaging that provides the same amount of protection as the original packaging. If you purchased the Product from an online web site, mail your original receipt and the Product to the address listed on the web site. Make sure that you put the Product in its original packaging or packaging that provides the same amount of protection as the original packaging.

To obtain in-home warranty service for a television with a screen 25 inches or larger, call 1-888-BESTBUY. Call agents will diagnose and correct the issue over the phone or will have an Insignia-approved repair person dispatched to your home.

### ***Where is the warranty valid?***

This warranty is valid only to the original purchaser of the product in the United States and Canada.

### ***What does the warranty not cover?***

This warranty does not cover:

- Customer instruction
- Installation
- Set up adjustments
- Cosmetic damage
- Damage due to acts of God, such as lightning strikes
- Accident
- Misuse
- Abuse

# INSIGNIA® Insignia NS-C2000 Clock Radio with iPod Docking Station

- Negligence
- Commercial use
- Modification of any part of the Product, including the antenna
- Plasma display panel damaged by static (non-moving) images applied for lengthy periods (burn-in).

This warranty also does not cover:

- Damage due to incorrect operation or maintenance
- Connection to an incorrect voltage supply
- Attempted repair by anyone other than a facility authorized by Insignia to service the Product
- Products sold as is or with all faults
- Consumables, such as fuses or batteries
- Products where the factory applied serial number has been altered or removed

REPAIR REPLACEMENT AS PROVIDED UNDER THIS WARRANTY IS YOUR EXCLUSIVE REMEDY. INSIGNIA SHALL NOT BE LIABLE FOR ANY INCIDENTAL OR CONSEQUENTIAL DAMAGES FOR THE BREACH OF ANY EXPRESS OR IMPLIED WARRANTY ON THIS PRODUCT, INCLUDING, BUT NOT LIMITED TO, LOST DATA, LOSS OF USE OF YOUR PRODUCT, LOST BUSINESS OR LOST PROFITS. INSIGNIA PRODUCTS MAKES NO OTHER EXPRESS WARRANTIES WITH RESPECT TO THE PRODUCT, ALL EXPRESS AND IMPLIED WARRANTIES FOR THE PRODUCT, INCLUDING, BUT NOT LIMITED TO, ANY IMPLIED WARRANTIES OF AND CONDITIONS OF MERCHANTABILITY AND FITNESS FOR A PARTICULAR PURPOSE, ARE LIMITED IN DURATION TO THE WARRANTY PERIOD SET FORTH ABOVE AND NO WARRANTIES, WHETHER EXPRESS OR IMPLIED, WILL APPLY AFTER THE WARRANTY PERIOD. SOME STATES, PROVINCES AND JURISDICTIONS DO NOT ALLOW LIMITATIONS ON HOW LONG AN IMPLIED WARRANTY LASTS, SO THE ABOVE LIMITATION MAY NOT APPLY TO YOU. THIS WARRANTY GIVES YOU SPECIFIC LEGAL RIGHTS, AND YOU MAY ALSO HAVE OTHER RIGHTS, WHICH VARY FROM STATE TO STATE OR PROVINCE TO PROVINCE.

Contact Insignia:

For customer service please call 1-877-467-4289

[www.insignia-products.com](http://www.insignia-products.com)

INSIGNIA™ is a trademark of Best Buy Enterprise Services, Inc.

Distributed by Best Buy Purchasing, LLC.

Insignia, 7601 Penn Avenue South, Richfield, Minnesota, U.S.A.



# Insignia NS-C2000

## Radio-réveil avec station d'accueil pour iPod

### Table des matières

Bienvenue . . . . .	17
Modèles iPod compatibles . . . . .	17
Informations sur la sécurité . . . . .	18
Fonctionnalités . . . . .	20
Configuration du radio-réveil . . . . .	24
Fonctionnement du radio-réveil . . . . .	25
Avis juridiques . . . . .	29
Garantie limitée de 90 jours . . . . .	31

### Bienvenue

Félicitations d'avoir acheté ce produit Insignia de haute qualité. Le modèle NS-C2000 représente la dernière avancée technologique dans la conception de radio-réveil et il a été conçu pour des performances et une fiabilité exceptionnelles.

Le radio-réveil est également doté d'une station d'accueil pour iPod qui permet de lire des fichiers iPod ou de visualiser des vidéo ou photos iPod.

### Modèles iPod compatibles

Voir le numéro figurant au dos de l'iPod.

- iPod 3G : 10 Go, 15 Go, 20 Go, 30 Go, 40 Go
- iPod 4G : 40 Go et iPod U2 (20 Go)
- iPod mini : 4 Go, 6 Go
- iPod photo : 40 Go, 60 Go et iPod U2 (20 Go, 30 Go)
- iPod avec vidéo : 30 Go, 60 Go, 80 Go
- iPod nano 1G : 2 Go, 4 Go
- iPod nano 2G : 2 Go, 4 Go, 8 Go

## Informations sur la sécurité



Ce symbole indique qu'une tension dangereuse, constituant un risque de choc électrique, est présente dans la station d'accueil. Cette étiquette est située au dos ou en dessous de la station d'accueil.



Ce symbole indique que d'importantes instructions concernant le fonctionnement et la maintenance figurent dans la documentation qui accompagne ce radio-réveil.

### **Avertissement**

Afin de réduire le risque d'incendie et de choc électrique, ne pas exposer le radio-réveil à la pluie ou l'humidité.

### **Avertissement**

L'utilisation de commandes ou la modification des procédures autres que celles spécifiées dans le présent manuel pourrait entraîner une exposition dangereuse aux radiations.

### **Avertissement**

Afin de réduire le risque de choc électrique, ne pas enlever le couvercle (ou le panneau arrière). Aucune pièce interne ne peut être réparée par l'utilisateur. Confier tout entretien à du personnel qualifié.

### ***Lire les instructions***

Lire toutes les instructions de sécurité et de fonctionnement avant d'utiliser ce radio-réveil.

### ***Conserver les instructions***

Conserver les instructions de sécurité et de fonctionnement pour toute référence ultérieure.

### ***Respecter les avertissements et les instructions***

Respecter tous les avertissements indiqués sur ce radio-réveil ainsi que dans les instructions d'utilisation. Toutes les instructions d'utilisation et de fonctionnement doivent être observées.

### ***Mise à la terre ou polarisation***

Ne pas chercher à modifier le dispositif de sécurité de la prise polarisée ou de type mise à la terre. Une prise polarisée comporte deux plots, un plus large que l'autre. Une prise de type mise à la terre est composée de deux plots et d'un troisième de mise à la terre. Ce troisième plot, large ou rond a été prévu pour la sécurité de l'utilisateur. Si la fiche ne s'adapte pas à la prise secteur, contacter un électricien afin qu'il remplace la prise inadéquate.

### ***Emplacement***

Si le radio-réveil est placé sur une surface vernie ou sur une surface à fini naturel, protéger la surface à l'aide d'un chiffon ou de tout autre matériau protecteur.

Éviter toute exposition à la lumière solaire directe, à des températures extrêmes et à l'humidité.

### ***Ventilation***

Les fentes et ouvertures au dos et au bas du boîtier sont prévues pour la ventilation, pour assurer un fonctionnement fiable de l'appareil et le protéger contre toute surchauffe. Ces ouvertures ne doivent être ni bloquées ni obstruées. Elles ne doivent jamais être bloquées en installant le radio-réveil sur un lit, un sofa, un tapis ou toute autre surface semblable.

### ***Eau et humidité***

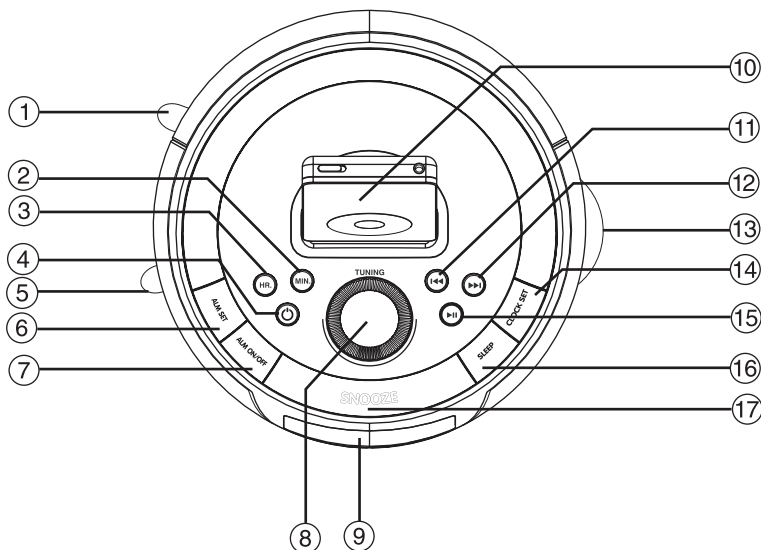
Ne pas utiliser le radio-réveil près de l'eau. Par exemple près d'une baignoire, un lavabo, un évier ou un baquet à linge, dans un sous-sol humide ou près d'une piscine.


Éviter les éclaboussures et les gouttes d'eau sur le radio-réveil. Ne pas placer d'objets tels qu'un vase rempli de liquide sur le radio-réveil.

# INSIGNIA® Insignia NS-C2000 Radio-réveil avec station d'accueil pour

## Fonctionnalités

### Panneau supérieur

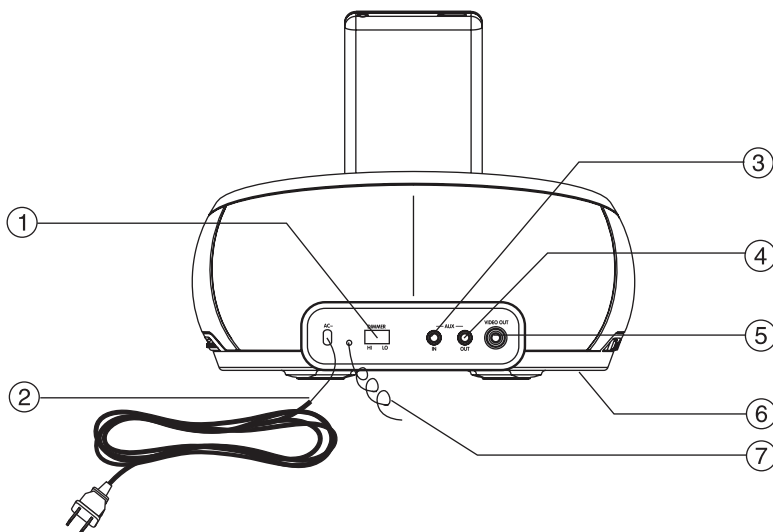


N°	Fonctionnalité	Description
1	Buzzer/Radio/iPod/Aux	Faire coulisser pour sélectionner le mode d'alarme. Sélectionner au choix : Buzzer (Sonnerie), Radio, iPod ou AUX (Auxiliaire).
2	MIN	Permet de régler les minutes.
3	HR	Permet de régler les heures.
4	MARCHE-ARRÊT 	Permet de mettre le radio-réveil sous et hors tension.
5	AM/FM/iPod/AUX	Faire coulisser pour régler le mode radio-réveil.
6	RÉGLAGE DE L'HEURE DE DÉCLENCHEMENT DE L'ALARME	Appuyer sur MIN (Minutes) et HR (Heures) pour régler l'alarme.
7	MARCHE-ARRÊT DE L'ALARME	Permet d'activer et de désactiver l'alarme. Permet de désactiver l'alarme sonore.
8	SYNTONISATION	Permet de sélectionner une station radio.

N°	Fonctionnalité	Description
9	Affichage à cristaux liquides	Affiche des informations relatives au radio-réveil telles que l'heure, l'état de la station d'accueil iPod, l'état de l'alarme et la fréquence radio.
10	Logement pour l'iPod	Insérer l'iPod dans ce logement en orientant l'écran vers l'extérieur.
11	RETOUR RAPIDE ◀◀	Permet d'aller à une piste précédente. La maintenir appuyée pour un retour arrière rapide dans la lecture d'une piste. Lors de la visualisation d'images iPod, permet de revenir à l'image précédente. Pour des films iPod, permet de revenir rapidement en arrière.
12	AVANCE RAPIDE ▶▶	Permet de passer à la piste suivante. La maintenir appuyée pour avancer rapidement dans la lecture d'une piste. Lors de la visualisation d'images iPod, permet de passer à l'image suivante. Pour des films iPod, permet d'avancer rapidement dans la lecture du film.
13	Volume	Permet d'augmenter ou de diminuer le volume sonore.
14	RÉGLAGE DE L'HORLOGE	Appuyer sur MIN (Minutes) et HR (Heures) pour régler l'horloge
15	Lecture/Pause ▶	Permet de démarrer ou de mettre en pause la lecture de l'iPod.
16	ARRÊT DIFFÉRÉ	Permet de régler l'arrêt différé dans une plage comprise entre 0 et 60 minutes.
17	RAPPEL D'ALARME	Permet de configurer l'alarme sonore en intervalles de cinq minutes.

# INSIGNIA® Insignia NS-C2000 Radio-réveil avec station d'accueil pour

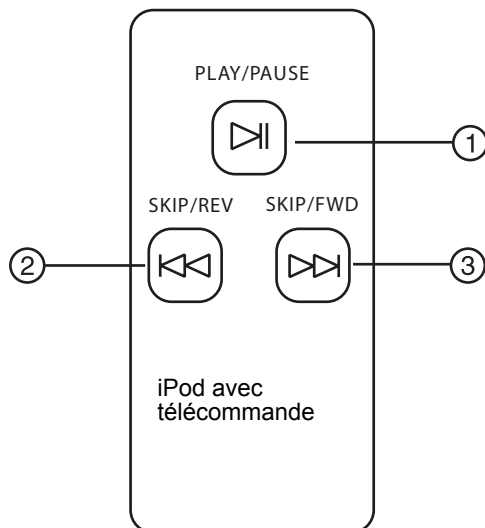
## Précédent



N°	Élément	Description
1	GRADATEUR	Faire coulisser pour régler la luminosité de l'affichage ACL.
2	Cordon d'alimentation CA	Brancher le cordon d'alimentation sur une prise secteur.
3	ENTRÉE AUXILIAIRE	Brancher un iPod shuffle ou un autre périphérique audio sur cette prise.
4	SORTIE AUXILIAIRE	Connecter un radio réveil ou un autre périphérique (tel qu'un système de cinéma maison) à cette prise.
5	SORTIE VIDÉO	Connecter le radio-réveil à une source vidéo (telle qu'un téléviseur) pour visualiser une vidéo d'un iPod.
6	Compartiment des piles	Insérer deux piles AAA (non incluses) dans ce compartiment pour fournir une alimentation de secours à l'horloge et à l'alarme en cas de panne de secteur. L'affichage ACL est éteint lorsque le dispositif d'alimentation de secours par piles est activé.

N°	Élément	Description
7	Antenne FM	Déployer et régler l'antenne pour améliorer la réception FM.

## Télécommande



N°	Touche	Description
1	LECTURE/PAUSE ▶	Permet de démarrer ou de mettre en pause la lecture de l'iPod.
2	SAUT/RETOUR RAPIDE ◀◀	Permet d'aller à la piste précédente. La maintenir appuyée pour un retour arrière rapide dans la lecture d'une piste. Lors de la visualisation d'images iPod, permet de revenir à l'image précédente. Pour des films iPod, permet de revenir rapidement en arrière.

# INSIGNIA® Insignia NS-C2000 Radio-réveil avec station d'accueil pour

N°	Touche	Description
3	SAUT/AVANCE RAPIDE ►►	Permet de passer à la piste suivante. La maintenir appuyée pour avancer rapidement dans la lecture d'une piste. Lors de la visualisation d'images iPod, permet de passer à l'image suivante. Pour des films iPod, permet d'avancer rapidement dans la lecture du film.

## Configuration du radio-réveil

### Connexion du cordon d'alimentation CA

**Pour connecter le cordon d'alimentation CA :**

- Brancher le cordon d'alimentation sur une prise secteur.

### Installation des piles

**Pour installer les piles :**

- 1 Vérifier que le cordon d'alimentation est débranché.
- 2 Retirer le couvercle du compartiment des piles.
- 3 Insérer deux piles AAA (non fournies) dans le compartiment. Veiller à ce que les pôles + et – des piles coïncident avec les repères + et – figurant à l'intérieur du compartiment.
- 4 Replacer le couvercle du compartiment des piles.

***Avertissement :** Il existe un danger d'explosion si les piles n'ont pas été correctement mises en place. Ne remplacer les piles qu'avec le même type ou un type équivalent. Le pile bouton contient du mercure. Ne pas jeter les piles usagées à la poubelle. Les recycler ou les mettre au rebut conformément à la réglementation relative aux déchets dangereux.*

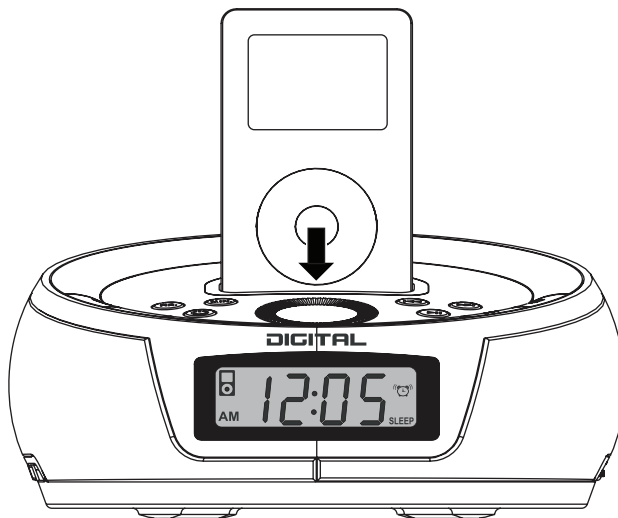
### Connexion d'un iPod

Il est possible de connecter un iPod (non inclus) au radio-réveil, afin de pouvoir écouter des chansons enregistrées sur l'iPod.



**Pour connecter un iPod :**

- 1 Vérifier que le radio-réveil est hors tension.



- 2 Insérer l'iPod dans la station d'accueil en orientant l'écran vers l'extérieur. Pour toute information relative à l'écoute de l'iPod, voir « Écoute de tous les autres iPod » à la page 12.

**Fonctionnement du radio-réveil****Mise en marche/arrêt de l'appareil****Pour la mise en marche/arrêt du radio-réveil :**

- Appuyer sur **Power** (Marche/Arrêt) de la télécommande.

**Réglage de l'heure****Pour régler l'heure :**

- 1 Vérifier que le radio-réveil est éteint.
- 2 Maintenir appuyée **CLOCK SET** (Réglage de l'horloge) du radio-réveil, puis appuyer sur **HR** (Heures) pour régler l'heure.
- 3 Maintenir appuyée **CLOCK SET** (Réglage de l'horloge) du radio-réveil, puis appuyer sur **MIN** (Minutes) pour régler les minutes.

# INSIGNIA® Insignia NS-C2000 Radio-réveil avec station d'accueil pour

## Réglage de l'alarme

### Pour régler l'alarme :

- 1 Vérifier que le radio-réveil est éteint.
- 2 Maintenir appuyée **Alarm Set** (Réglage de l'heure de déclenchement de l'alarme) du radio-réveil.
- 3 Appuyer sur **HR** (Heures) et **MIN** (Minutes) pour régler l'heure et les minutes.
- 4 Faire coulisser la touche **Buzzer/Radio/iPod/Aux** (Sonnerie/Radio/iPod/Auxiliaire) sur le mode de radio-réveil souhaité.

## Écoute de la radio

### Pour écouter la radio :

- 1 Vérifier que le radio-réveil est éteint.
- 2 Faire glisser la touche **AM/FM/iPod/Aux** (AM/FM/iPod/Auxiliaire) sur AM/FM.
- 3 Faire tourner le cadran **TUNING** (Syntonisation) pour sélectionner une station de radio.
- 4 Selon le besoin, faire tourner le cadran **Volume** pour régler celui-ci.

## Amélioration de la réception

### Pour améliorer la réception :

- Réception AM : Faire pivoter le radio-réveil jusqu'à obtention d'un signal clair.
- Réception FM : Déployer l'antenne FM puis ajuster l'angle jusqu'à obtention d'un signal clair.

## Écoute de l'iPod shuffle

### Pour écouter l'iPod shuffle :

- 1 Vérifier que le radio-réveil est éteint.
- 2 Connecter le câble d'entrée de l'iPod shuffle à la prise **AUX IN** (Entrée auxiliaire) du radio-réveil.
- 3 Faire glisser la touche **Buzzer/Radio/iPod/Aux** (Sonnerie/Radio/iPod/Auxiliaire) sur iPod/Aux.
- 4 Utiliser les commandes de l'iPod shuffle pour contrôler la lecture.

- 5 Selon le besoin, faire tourner le cadran **Volume** pour régler celui-ci.

## Écoute de tous les autres iPods

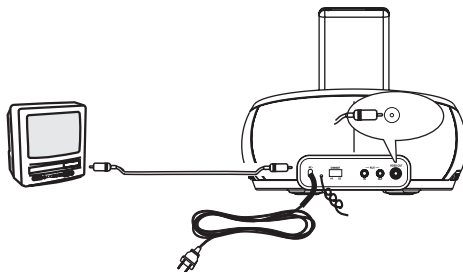
### Pour écouter l'iPod :

- 1 Vérifier que le radio-réveil est éteint, puis insérer l'iPod dans le connecteur.
- 2 Mettre le radio-réveil sous tension.
- 3 Appuyer sur ►|| du radio-réveil ou de la télécommande.
- 4 Appuyer sur ►||, ◀◀ et sur ►►| pour contrôler la lecture de l'iPod.
- 5 Selon le besoin, faire tourner le cadran **Volume** pour régler celui-ci.

## Visualisation d'une vidéo ou de photos à partir d'un iPod

### Pour regarder une vidéo ou des photos à partir d'un iPod :

- 1 Vérifier que le radio-réveil est éteint, puis insérer l'iPod dans le connecteur.
- 2 Brancher un câble vidéo (non fourni) sur la prise **VIDEO OUT** (Sortie vidéo) située au dos du radio-réveil.



- 3 Connecter l'autre extrémité du câble vidéo à la prise d'entrée vidéo (**VIDEO IN**) du périphérique vidéo.
- 4 Mettre le radio-réveil sous tension.
- 5 Appuyer sur ►|| du radio-réveil ou de la télécommande.
- 6 Selon le besoin, faire tourner le cadran **Volume** pour régler celui-ci.

# INSIGNIA® Insignia NS-C2000 Radio-réveil avec station d'accueil pour

- 7 Appuyer sur ►||, ◀◀ et sur ►►| pour contrôler la lecture de l'iPod.

## Écoute d'autres périphériques audio portatifs

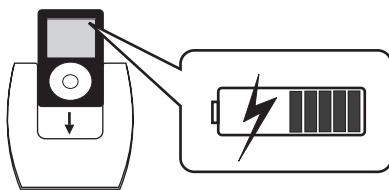
### Pour écouter un autre périphérique audio portatif :

- 1 Vérifier que le radio-réveil est éteint.
- 2 Connecter le câble d'entrée à la prise **Aux In** (Entrée auxiliaire) du radio-réveil.
- 3 Faire glisser la touche **Buzzer/Radio/iPod/Aux** (Sonnerie/Radio/iPod/Auxiliaire) sur iPod/Aux.
- 4 Utiliser les commandes du périphérique audio pour contrôler la lecture.
- 5 Selon le besoin, faire tourner la commande du **VOLUME** pour régler celui-ci.

## Charge de la batterie de l'iPod

### Pour charger la batterie de l'iPod :

- 1 Mettre l'iPod sous tension.
- 2 Insérer l'iPod dans le connecteur en orientant l'écran vers l'extérieur. Lorsque l'iPod est inséré, il se met en mode veille, puis s'éteint. Le témoin de charge de la batterie s'affiche à l'écran de l'iPod.



## Avis juridiques

### **FCC article 15**

Cet appareil est conforme à l'article 15 du règlement de la FCC. Son utilisation est soumise aux deux conditions suivantes : (1) cet appareil ne doit pas provoquer d'interférences préjudiciables, et (2) il doit accepter toute interférence reçue, y compris celles risquant d'engendrer un fonctionnement indésirable.

Cet équipement a été mis à l'essai et déclaré conforme aux limites prévues pour un appareil numérique de classe B, définies dans la section 15 de la réglementation FCC. Ces limites ont été établies pour fournir une protection raisonnable contre les interférences préjudiciables lors d'une installation résidentielle. Cet équipement génère, utilise et diffuse des ondes radio et, s'il n'est pas installé et utilisé conformément aux instructions dont il fait l'objet, il peut provoquer des interférences préjudiciables aux communications radio. Cependant, il n'est pas possible de garantir qu'aucune interférence ne se produira pour une installation particulière. Si cet équipement produit des interférences préjudiciables lors de réceptions radio ou télévisées, qui peuvent être détectées en éteignant puis en rallumant l'appareil, essayer de corriger l'interférence au moyen de l'une ou de plusieurs des mesures suivantes :

- Réorienter ou déplacer l'antenne réceptrice.
- Augmenter la distance entre l'équipement et le récepteur.
- Brancher l'équipement sur la prise électrique d'un circuit différent de celui auquel le récepteur est relié.
- Contacter le revendeur ou un technicien qualifié pour toute assistance.

### **Avertissement de la FCC**

Tous changements ou toutes modifications qui ne seraient pas expressément approuvés par les responsables de l'application des règles FCC pourraient rendre nul le droit de l'utilisateur d'utiliser cet équipement.

### **Déclaration NMB-003 du Canada**

Cet appareil numérique de la classe B est conforme à la norme NMB-003 du Canada.

### **Droits d'auteurs**

© 2007 Insignia. Insignia et le logo Insignia sont des marques de commerce de Best Buy Enterprise Services, Inc. Les autres noms de marques et de produits mentionnés sont des marques de commerce ou des marques déposées de leurs propriétaires respectifs. Les spécifications et caractéristiques sont susceptibles d'être modifiées sans préavis.

Pour l'assistance technique, appeler le (877) 467-4289.

iPod est une marque de commerce d'Apple Computer, Inc. déposée aux États-Unis et dans d'autres pays.

**INSIGNIA**® Insignia NS-C2000 Radio-réveil avec station d'accueil pour

## Garantie limitée de 90 jours

Insignia Products (« Insignia ») garantit au premier acheteur de ce **NS-C2000** neuf (« Produit »), qu'il est exempt de vices de fabrication et de main-d'œuvre à l'origine, pour une période de 90 jours à partir de la date d'achat du Produit (« Période de garantie »). Ce Produit doit avoir été acheté chez un revendeur agréé des produits de la marque Insignia et emballé avec cette déclaration de garantie. Cette garantie ne couvre pas les Produits remis à neuf. Les conditions de la présente garantie s'appliquent à tout Produit pour lequel Insignia est notifié pendant la Période de garantie, d'un vice couvert par cette garantie qui nécessite une réparation.

### ***Quelle est la durée de la couverture?***

La Période de garantie dure 90 jours à compter de la date d'achat de ce Produit. La date d'achat est imprimée sur le reçu fourni avec le Produit.

### ***Que couvre cette garantie?***

Pendant la Période de garantie, si un vice de matériau ou de main-d'œuvre d'origine est détecté sur le Produit par un service de réparation agréé par Insignia ou le personnel du magasin, Insignia (à sa seule discrétion) : (1) réparera le Produit en utilisant des pièces détachées neuves ou remises à neuf; ou (2) remplacera le Produit par un produit ou des pièces neuves ou remises à neuf de qualité comparable. Les produits et pièces remplacés au titre de cette garantie deviennent la propriété d'Insignia et ne sont pas retournés à l'acheteur. Si les Produits ou pièces nécessitent une réparation après l'expiration de la Période de garantie, l'acheteur devra payer tous les frais de main-d'œuvre et les pièces. Cette garantie reste en vigueur tant que l'acheteur reste propriétaire du Produit Insignia pendant la Période de garantie. La garantie prend fin si le Produit est revendu ou transféré d'une quelconque façon que ce soit à tout autre propriétaire.

### ***Comment obtenir une réparation sous garantie?***

Si le Produit a été acheté chez un détaillant, le rapporter accompagné du reçu original chez ce détaillant. Prendre soin de remettre le Produit dans son emballage d'origine ou dans un emballage qui procure la même qualité de protection que celui d'origine. Si le Produit a été acheté en ligne, l'expédier accompagné du reçu original à l'adresse indiquée sur le site Web. Prendre soin de remettre le Produit dans son emballage d'origine ou dans un emballage qui procure la même qualité de protection que celui d'origine.

Pour obtenir le service de la garantie à domicile pour un téléviseur avec écran de 25 po ou plus, appeler le 1-888-BESTBUY. L'assistance technique établira un diagnostic et corrigera le problème au téléphone ou enverra un technicien agréé par Insignia pour la réparation à domicile.

### ***Où cette garantie s'applique-t-elle?***

Cette garantie ne s'applique qu'à l'acheteur original du produit aux États-Unis et au Canada.

### ***Ce qui n'est pas couvert par cette garantie limitée***

La présente garantie ne couvre pas :

- la formation du client;
- l'installation;
- les réglages de configuration;
- les dommages esthétiques;
- les dommages résultants de catastrophes naturelles telles que la foudre;

# INSIGNIA® Insignia NS-C2000 Radio-réveil avec station d'accueil pour

- les accidents;
- une utilisation inadaptée;
- une manipulation abusive;
- la négligence;
- une utilisation commerciale;
- la modification de tout ou partie du Produit, y compris l'antenne;
- un écran plasma endommagé par les images fixes (sans mouvement) qui restent affichées pendant de longues périodes (rémanentes).

La présente garantie ne couvre pas non plus :

- les dommages ayant pour origine une utilisation ou une maintenance défectueuse;
- la connexion à une source électrique dont la tension est inadéquate;
- toute réparation effectuée par quiconque autre qu'un service de réparation agréé par Insignia pour la réparation du Produit;
- les produits vendus en l'état ou hors service;
- les consommables tels que les fusibles ou les piles;
- les produits dont le numéro de série usine a été altéré ou enlevé.

LA RÉPARATION OU LE REMPLACEMENT, TELS QU'OFFERTS PAR LA PRÉSENTE GARANTIE, CONSTITUENT LE SEUL RECOURS DE L'ACHETEUR. INSIGNIA NE SAURAIT ÊTRE TENU POUR RESPONSABLE DE DOMMAGES ACCESSOIRES OU CONSÉCUTIFS, RÉSULTANT DE L'INEXÉCUTION D'UNE GARANTIE EXPRESSE OU IMPLICITE SUR CE PRODUIT, Y COMPRIS, SANS S'Y LIMITER, LA PERTE DE DONNÉES, L'IMPOSSIBILITÉ D'UTILISER LE PRODUIT, L'INTERRUPTION D'ACTIVITÉ OU LA PERTE DE PROFITS. INSIGNIA PRODUCTS N'OCTROIE AUCUNE AUTRE GARANTIE EXPRESSE RELATIVE À CE PRODUIT; TOUTES LES GARANTIES EXPRESSES OU IMPLICITES POUR CE PRODUIT, Y COMPRIS MAIS SANS LIMITATION, TOUTE GARANTIE DE QUALITÉ MARCHANDE, D'ADÉQUATION À UN BUT PARTICULIER, SONT LIMITÉES À LA PÉRIODE DE GARANTIE APPLICABLE TELLE QUE DÉCRITE CI-DESSUS ET AUCUNE GARANTIE EXPRESSE OU IMPLICITE NE S'APPLIQUERA APRÈS LA PÉRIODE DE GARANTIE. CERTAINS ÉTATS ET PROVINCES NE RECONNAISSENT PAS LES LIMITATIONS DE LA DURÉE DE VALIDITÉ DES GARANTIES IMPLICITES. PAR CONSÉQUENT, LES LIMITATIONS SUSMENTIONNÉES PEUVENT NE PAS S'APPLIQUER À L'ACHETEUR ORIGINAL. LA PRÉSENTE GARANTIE DONNE À L'ACHETEUR DES GARANTIES JURIDIQUES SPÉCIFIQUES; IL PEUT AUSSI BÉNÉFICIER D'AUTRES GARANTIES QUI VARIENT D'UN ÉTAT OU D'UNE PROVINCE À L'AUTRE.

Pour contacter Insignia :

Pour le service à la clientèle, appeler le 1-877-467-4289

[www.insignia-products.com](http://www.insignia-products.com)

INSIGNIA<sup>MC</sup> est une marque de commerce de Best Buy Enterprise Services, Inc.

Distribué par Best Buy Purchasing, LLC.

Insignia, 7601 Penn Avenue South, Richfield, Minnesota, U.S.A.



# Insignia NS-C2000

## Radio reloj con estación de acoplamiento para iPod

### Contenido

Bienvenido .....	33
Modelos de iPod compatibles .....	33
Información de seguridad .....	34
Características .....	36
Configuración del radio reloj .....	40
Uso de su radio reloj .....	41
Avisos legales .....	45
Garantía limitada de 90 días .....	47

### Bienvenido

Felicitaciones por su compra de un producto de alta calidad de Insignia. Su NS-C2000 representa el más moderno diseño de radio reloj y está concebido para brindar un rendimiento seguro y sin problemas.

Su radio reloj también cuenta con una estación de acoplamiento para iPod que puede usar para reproducir música, ver videos o fotografías de iPod.

### Modelos de iPod compatibles

Refiérase al número en la parte posterior de su iPod.

- iPod de 3G (Tercera generación): 10 GB, 15 GB, 20 GB, 30 GB, 40 GB
- iPod de 4G (Cuarta generación): 40 GB y el iPod de U2 de 20 GB
- iPod mini: 4 GB, 6 GB
- iPod photo: 40 GB, 60 GB y el iPod de U2 de 20GB y 30 GB
- iPod con video: 30 GB, 60 GB, 80 GB
- iPod nano 1G (Primera generación): 2 GB, 4 GB
- iPod nano 2G (Segunda generación): 2 GB, 4 GB, 8 GB

# INSIGNIA® Insignia NS-C2000 Radio reloj con estación de acoplamiento

## Información de seguridad



Este símbolo indica que voltaje peligroso que puede constituir un riesgo de choque eléctrico se encuentra presente dentro de su estación de acoplamiento. Esta etiqueta se encuentra ubicada en la parte posterior de su estación de acoplamiento.



Este símbolo indica que hay instrucciones importantes de operación y mantenimiento en la literatura que acompaña a su radio reloj.

### **Advertencia**

Para reducir el riesgo de incendio o choque eléctrico, no exponga su radio reloj a la lluvia o la humedad.

### **Advertencia**

Cualquier uso de los controles o un ajuste en los procedimientos diferente a los especificados en el presente puede resultar en radiación peligrosa.

### **Advertencia**

Para reducir el riesgo de choque eléctrico, no retire la cubierta ni la parte posterior. No existen partes reparables por el usuario en el interior. Para realizar cualquier reparación, acuda al personal de servicio calificado.

## ***Lea las instrucciones***

Lea todas las instrucciones de seguridad y operación antes de utilizar su radio reloj.

## ***Guarde las instrucciones***

Conserve las instrucciones de seguridad y operación para referencia futura.

## ***Siga las advertencias y las instrucciones***

Preste atención a todas las advertencias sobre su radio reloj y las instrucciones de operación. Siga todas las instrucciones de operación y uso.

### ***Conexión a tierra o polarización***

No anule el propósito de seguridad del enchufe con polarización o con conexión a tierra. Un enchufe polarizado tiene dos clavijas planas, una más ancha que la otra. Un enchufe de conexión a tierra tiene dos clavijas y un conector de tierra. La clavija ancha o conector de tierra se proporcionan para su seguridad. Si el enchufe no entra, solicite a un electricista que cambie el tomacorriente obsoleto.

### ***Ubicación***

Cuando coloque su radio reloj sobre una superficie con acabado barnizado o natural, proteja el mueble con un paño u otro material protector.

Evite la exposición directa a la luz solar, temperaturas extremas y humedad.

### ***Ventilación***

Las ranuras y aberturas en el gabinete y en la parte posterior o en la base se proporcionan con fines de ventilación, operación confiable y protección contra sobrecalentamiento. Estas aberturas no se deben bloquear ni cubrir. No cubra las aberturas al colocar su radio reloj sobre una cama, sofá, alfombra, o cualquier otra superficie parecida.

### ***Agua y humedad***

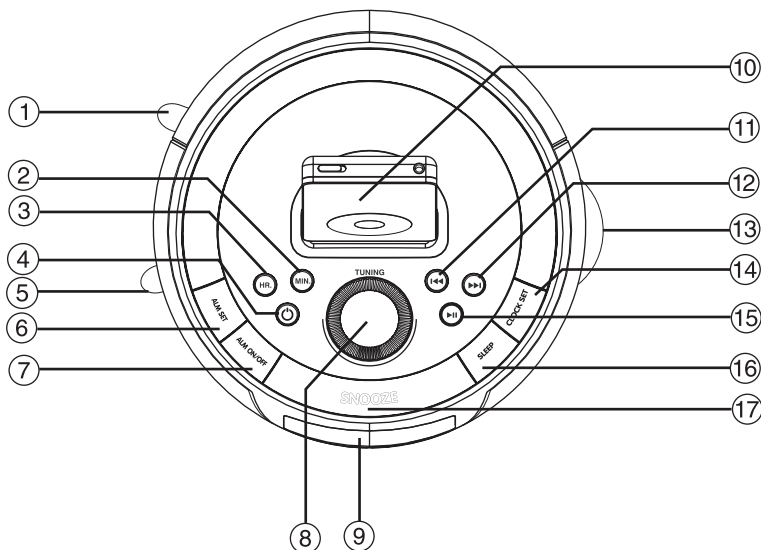
No use su radio reloj cerca del agua. Por ejemplo, no lo use cerca de una bañera, lavabo, fregadero de cocina o lavadero, en un sótano mojado o cerca de una piscina.


No deje que agua salpique o gotee dentro de su radio reloj. No coloque objetos que contienen líquidos, como por ejemplo un florero, sobre la parte superior de su radio reloj.

# INSIGNIA® Insignia NS-C2000 Radio reloj con estación de acoplamiento

## Características

### Panel superior



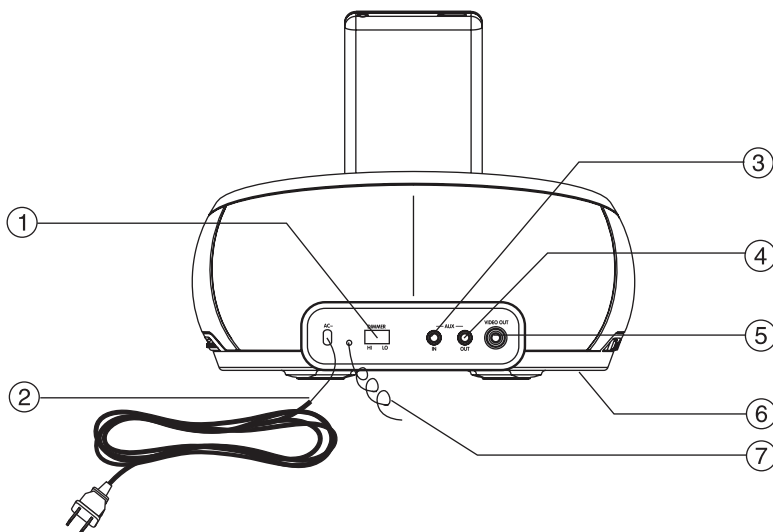
No.	Característica	Descripción
1	Despertador/Radio/iPod/Aux	Deslice para seleccionar el modo de alarma. Puede seleccionar Buzzer (Despertador), Radio, iPod, o AUX
2	MIN	Permite ajustar los minutos.
3	HR	Permite ajustar la hora.
4	ENCENDIDO 	Permite encender y apagar su radio reloj.
5	AM/FM/iPod/AUX	Deslice para seleccionar el modo de su radio reloj.
6	CONFIGURAR ALARMA	Presione junto con los botones MIN (minutos) y HR (hora) para configurar la alarma.
7	ALM ON/OFF (Alarma activada/desactivada)	Permite encender y apagar la alarma. Permite desactivar el sonido de la alarma.
8	SINTONIZACIÓN	Gire para seleccionar una emisora de radio.

Insignia NS-C2000 Radio reloj con estación de acoplamiento **INSIGNIA®**

No.	Característica	Descripción
9	Pantalla LCD	Muestra la información acerca de su radio reloj, tal como la hora, el estado de acoplamiento del iPod, estado de la alarma y la frecuencia de radio.
10	Ranura para iPod	Inserte el iPod en esta ranura, con la pantalla orientada hacia afuera.
11	RETROCEDER ◀◀	Permite saltar a una pista anterior. Mantenga presionado para retroceder rápidamente por una pista. Mientras se ven fotos en el iPod, permite regresar a la foto anterior. En el caso de películas de iPod, permite retroceder rápidamente.
12	AVANZAR ▶▶	Permite saltar a la siguiente pista. Mantenga presionado para avanzar rápidamente por una pista. Mientras se ven fotos en el iPod, permite avanzar a la siguiente foto. En el caso de películas de iPod, permite avanzar rápidamente.
13	Volumen	Gire para subir o bajar el volumen.
14	CONFIGURAR RELOJ	Presione junto con los botones MIN y HR para configurar el reloj.
15	Reproducir/Pausa ▶	Permite comenzar o pausar la reproducción de iPod.
16	APAGADO AUTOMÁTICO	Permite configurar el temporizador de apagado automático de 0 a 60 minutos.
17	REPETICIÓN DE ALARMA	Permite retrasar el sonido de alarma en intervalos de cinco minutos.

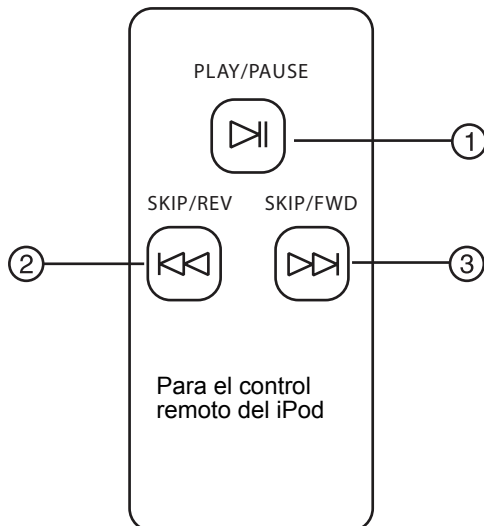
# INSIGNIA® Insignia NS-C2000 Radio reloj con estación de acoplamiento




## Vista posterior



No.	Componente	Descripción
1	ATENUADOR	Deslice para ajustar el brillo de la pantalla de LCD.
2	Cable de alimentación de CA	Conecte este cable en un tomacorriente.
3	ENTRADA AUXILIAR	Conecte un iPod Shuffle u otro dispositivo de audio externo en esta toma.
4	SALIDA AUXILIAR	Conecte su radio reloj a otro equipo (tal como un teatro en casa) por medio de esta toma.
5	SALIDA DE VIDEO	Conecte su radio reloj a una fuente de video (tal como un televisor) para ver video de un iPod.
6	Compartimiento de pilas	Inserte 2 pilas AAA (no incluidas) en este compartimiento para proveer respaldo para la configuración del reloj y la alarma en caso de una falla de energía. La pantalla de LCD no se encenderá cuando la unidad se alimente con respaldo de batería.
7	Antena de FM	Extienda y ajuste para mejorar la frecuencia de radio de FM.

## Control remoto



No.	Botón	Descripción
1	REPRODUCIR/PAUSAR 	Permite comenzar o pausar la reproducción de iPod.
2	SALTAR/RETROCEDER 	Permite saltar a una pista anterior. Mantenga presionado para retroceder rápidamente por una pista. Mientras se ven fotos en el iPod, permite regresar a la foto anterior. En el caso de películas de iPod, permite retroceder rápidamente.
3	SALTAR/AVANZAR 	Permite saltar a la siguiente pista. Mantenga presionado para avanzar rápidamente por una pista. Mientras se ven fotos en el iPod, permite avanzar a la siguiente foto. En el caso de películas de iPod, permite avanzar rápidamente.

# INSIGNIA® Insignia NS-C2000 Radio reloj con estación de acoplamiento

## Configuración del radio reloj

### Conexión del cable de alimentación de CA.

**Para conectar el cable de alimentación de CA:**

- Enchufe el cable de alimentación en un tomacorriente.

### Instalación de las pilas

**Para instalar las pilas:**

- 1 Asegúrese de que el cable de alimentación esté desenchufado.
- 2 Retire la cubierta del compartimiento de las pilas.
- 3 Inserte dos pilas AAA (no incluidas) en el compartimiento de las pilas. Compruebe que los símbolos + y – en las pilas coincidan con los símbolos + y – dentro del compartimiento de las pilas.
- 4 Vuelva a colocar la cubierta del compartimiento de las pilas.

*Advertencia: Peligro de explosión si las pilas se instalan incorrectamente. Reemplace con una del mismo tipo o equivalente. La batería de celda de botón contiene mercurio. No deseche la pila en la basura. Recicle o deseche las pilas como desperdicios dañinos.*

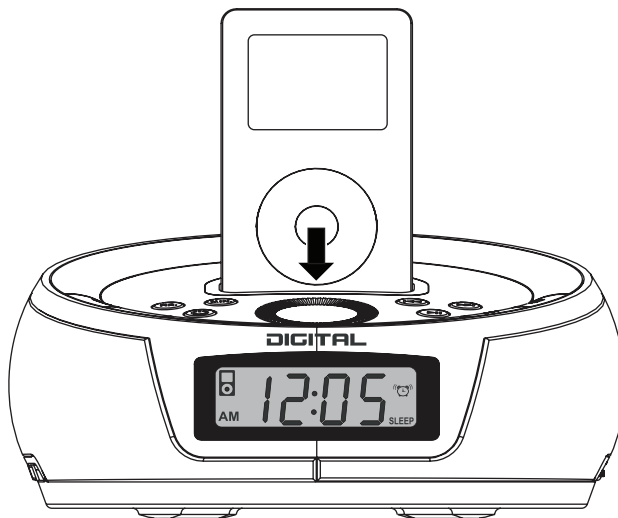
### Conexión de un iPod

Puede conectar un iPod (no incluido) en su radio reloj para escuchar las canciones almacenadas en su iPod.



**Para conectar un iPod:**

- 1 Asegúrese de que su radio reloj esté apagado.



- 2 Inserte el iPod en la ranura de la base de acoplamiento, con la pantalla orientada hacia afuera. Para obtener información sobre cómo escuchar el iPod, refiérase a "Escuchando todos los demás iPod" en la page 12.

## Uso de su radio reloj

### Cómo encender y apagar su radio reloj

**Para encender y apagar su radio reloj:**

- Presione el botón **Power**  (Encendido) en su radio reloj.

### Ajuste de la hora

**Para ajustar la hora:**

- 1 Asegúrese de que su radio reloj esté apagado.
- 2 Mantenga presionado el botón **CLOCK SET** (Ajuste de reloj) en su radio reloj y presione el botón **HR** para ajustar la hora.
- 3 Mantenga presionado el botón **CLOCK SET** (Ajuste de reloj) en su radio reloj y presione el botón **MIN** para ajustar los minutos.

# INSIGNIA® Insignia NS-C2000 Radio reloj con estación de acoplamiento

## Ajuste de la alarma

### Para ajustar la alarma:

- 1 Asegúrese de que su radio reloj esté apagado.
- 2 Mantenga presionado el botón **Alarm Set** (Ajuste de la alarma) en su radio reloj.
- 3 Presione el botón **HR** y **MIN** para ajustar la hora y los minutos.
- 4 Deslice el conmutador **Buzzer/Radio/iPod/Aux** (Despertador/Radio/iPod/Aux) al modo de reloj despertador deseado.

## Como escuchar la radio

### Para escuchar la radio:

- 1 Asegúrese de que su radio reloj esté apagado.
- 2 Deslice el conmutador **AM/FM/iPod/Aux** a la posición AM/FM.
- 3 Gire el control **TUNING** (Sintonizar) para seleccionar una emisora de radio.
- 4 Si es necesario, gire el control **Volume** (Volumen) para ajustar el volumen.

## Mejorando la recepción

### Para mejorar la recepción de radio:

- Recepción de AM: Gire su radio reloj hasta que se aclare la señal.
- Recepción de FM: Extienda la antena de FM y ajuste el ángulo hasta que se aclare la señal.

## Como escuchar el iPod Shuffle

### Para escuchar el iPod Shuffle:

- 1 Asegúrese de que su radio reloj esté apagado.
- 2 Conecte el cable de entrada de línea en el iPod shuffle a la toma **AUX IN** (Entrada auxiliar) en su radio reloj.
- 3 Deslice el conmutador **Buzzer/Radio/iPod/Aux** a la posición iPod/Aux.
- 4 Use los controles en el iPod Shuffle para controlar la reproducción.
- 5 Si es necesario, gire el control **Volume** (Volumen) para ajustar el volumen.

## Escuchando todos los demás iPod

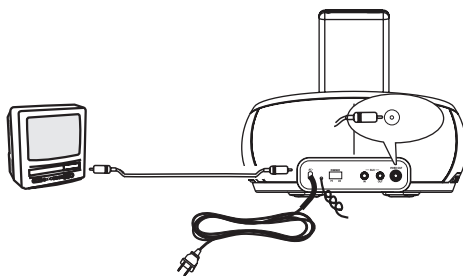
### Para escuchar el iPod:

- 1 Asegúrese de que su radio reloj esté apagado e inserte el iPod en la ranura.
- 2 Encienda su radio reloj.
- 3 Presione ►|| en su radio reloj o en el control remoto.
- 4 Presione ►||, ◀◀◀ y ▶▶▶ para controlar la reproducción de iPod.
- 5 Si es necesario, gire el control **Volume** (Volumen) para ajustar el volumen.

## Cómo ver videos o fotografías almacenados en un iPod

### Para ver videos o fotografías almacenados en un iPod:

- 1 Asegúrese de que su radio reloj esté apagado e inserte el iPod en la ranura.
- 2 Conecte un cable de video (no incluido) en la toma **VIDEO OUT** (Salida de video) en la parte posterior de su radio reloj.



- 3 Conecte el otro extremo del cable de video en la toma **VIDEO IN** (Entrada de video) de su equipo de video.
- 4 Encienda su radio reloj.
- 5 Presione ►|| en su radio reloj o en el control remoto.
- 6 Si es necesario, gire el control **Volume** (Volumen) para ajustar el volumen.
- 7 Presione ►||, ◀◀◀ y ▶▶▶ para controlar la reproducción de iPod.

# INSIGNIA® Insignia NS-C2000 Radio reloj con estación de acoplamiento

## Escuchando otros dispositivos de audio portátiles

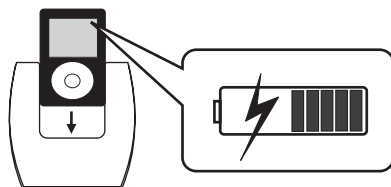
### Para escuchar otro dispositivo de audio portátil:

- 1 Asegúrese de que su radio reloj esté apagado.
- 2 Conecte el cable de entrada de línea en el equipo de audio a la toma **Aux In** (Entrada auxiliar) en su radio reloj.
- 3 Deslice el conmutador **Buzzer/Radio/iPod/Aux** a la posición iPod/Aux.
- 4 Use los controles en el equipo de audio para controlar la reproducción.
- 5 Si es necesario, gire el control **Volume** (Volumen) para ajustar el volumen.

## Carga de la pila del iPod

### Para cargar la pila del iPod:

- 1 Encienda su iPod.
- 2 Inserte el iPod en la ranura, con la pantalla orientada hacia afuera. Cuando se inserta el iPod, éste entra al modo Standby (Suspensión) y luego se apaga. El indicador de batería cargando aparece en la pantalla del iPod.



## Avisos legales

### **FCC Parte 15**

Este dispositivo satisface la parte 15 del reglamento FCC. La operación de este producto está sujeta a las dos condiciones siguientes: (1) Este dispositivo no puede causar interferencia dañina, y (2) este dispositivo debe aceptar cualquier interferencia recibida incluyendo interferencias que puedan causar una operación no deseada.

Este equipo ha sido sometido a prueba y se ha determinado que satisface los límites establecidos para ser clasificado como dispositivo digital de la Clase B de acuerdo con la Parte 15 del reglamento FCC. Estos límites están diseñados para proporcionar una protección razonable contra interferencias dañinas en un ambiente residencial. Este equipo genera, usa y puede emitir energía de radiofrecuencia, y si no se instala y usa de acuerdo con las instrucciones, puede causar interferencias perjudiciales a las comunicaciones de radio. Sin embargo, no se garantiza que no ocurrirá interferencia en una instalación particular. Si este equipo causa interferencias perjudiciales en la recepción de la señal de radio o televisión, lo cual puede comprobarse encendiendo y apagando el reproductor alternativamente, se recomienda al usuario corregir la interferencia mediante uno de los siguientes procedimientos:

- Cambie la orientación o la ubicación de la antena receptora.
- Aumente la distancia entre el equipo y el receptor.
- Conecte el equipo a un tomacorriente de un circuito distinto de aquel al que está conectado el receptor.
- Solicite consejo al distribuidor o a un técnico calificado para obtener ayuda.

### **Advertencia de la FCC**

Cualquier cambio o modificación que no esté aprobado expresamente por la parte responsable por el cumplimiento con el reglamento de FCC puede anular la autoridad del usuario para operar el equipo.

### **Declaración del ICES-003 de Canadá**

Este aparato digital de Clase B cumple con el ICES-003 canadiense.

### **Derechos de reproducción**

© 2007 Insignia. Insignia y el logotipo de Insignia son marcas comerciales de Best Buy Enterprise Services, Inc. Otras marcas y nombres de productos son marcas comerciales o marcas registradas de sus dueños respectivos. Las especificaciones y características están sujetas a cambio sin aviso previo u obligación.

Para reparación y soporte llamar al (877) 467-4289.

iPod es una marca comercial de Apple Computer, Inc. registrada en los Estados Unidos y otros países

**INSIGNIA**® Insignia NS-C2000 Radio reloj con estación de acoplamiento

---

## Garantía limitada de 90 días

Insignia Products ("Insignia") le garantiza a usted, el comprador original de este nuevo **NS-C2000** ("Producto"), que éste se encontrará libre de defectos de material o de mano de obra en su fabricación original por un período de 90 (noventa) días a partir de la fecha de compra del Producto ("Período de Garantía"). Este Producto debe ser comprado en un distribuidor autorizado de productos Insignia y empacado con esta declaración de garantía. Esta garantía no cubre Productos reacondicionados. Si notifica a Insignia durante el Período de Garantía sobre un defecto cubierto por esta garantía que requiere reparación, los términos de esta garantía se aplican.

### *¿Cuánto dura la garantía?*

El Período de Garantía dura por 90 (noventa) días a partir de la fecha en que compró el Producto. La fecha de compra se encuentra impresa en el recibo que recibió con el Producto.

### *¿Qué es lo que cubre esta garantía?*

Durante el Período de Garantía, si un centro de reparación autorizado de Insignia concluye que la fabricación original del material o la mano de obra del Producto se encuentran defectuosos Insignia (cómo su opción exclusiva): (1) reparará el Producto con repuestos nuevos o reacondicionados; o (2) reemplazará el Producto con uno nuevo o con uno reacondicionado con repuestos equivalentes. Los Productos y repuestos reemplazados bajo esta garantía se volverán propiedad de Insignia y no se le regresarán a usted. Si se requiere la reparación de Productos o partes después de que se vence el Período de Garantía, usted deberá pagar todos los costos de mano de obra y de repuestos. Esta garantía estará vigente con tal que usted sea el dueño de su producto Insignia durante el periodo de garantía. El alcance de la garantía se termina si usted vende o transfiere el producto.

### *¿Cómo se obtiene la reparación de garantía?*

Si ha comprado el Producto en una tienda de ventas, lleve su recibo original y el Producto a la tienda en donde lo compró. Asegúrese de que vuelva a colocar el Producto en su empaque original o en un empaque que provea la misma protección que el original. Si compró el Producto en un sitio Web, envíe por correo su recibo original y el Producto a la dirección postal listada en el sitio Web. Asegúrese de colocar el Producto en su empaque original o en un empaque que provea la misma protección que el original.

Para obtener servicio de garantía a domicilio para un televisor con una pantalla de 25 pulgadas o más, llame al 1-888-BESTBUY. El soporte técnico diagnosticará y corregirá el problema por teléfono o enviará un técnico certificado por Insignia a su casa.

### *¿En dónde es válida la garantía?*

Esta garantía sólo es válida al comprador original del producto en los Estados Unidos y en Canadá.

### *¿Qué es lo que no cubre la garantía?*

Esta garantía no cubre:

- Capacitación del cliente
- Instalación
- Ajuste de configuración
- Daños cosméticos
- Daños debido a actos de la naturaleza, tal cómo rayos
- Accidentes

# INSIGNIA® Insignia NS-C2000 Radio reloj con estación de acoplamiento

- Mal uso
- Abuso
- Negligencia
- Uso comercial
- Modificación de alguna parte del Producto, incluyendo la antena
- Un panel de pantalla de plasma dañado por la persistencia de imágenes estáticas (sin movimiento), mostradas por periodos de tiempo extendido (efecto "burn-in").

Esta garantía tampoco cubre:

- Daño debido al uso o mantenimiento incorrecto
- La conexión a una fuente de voltaje incorrecta
- El intento de reparación por alguien que no sea una compañía autorizada por Insignia para reparar el Producto
- Productos vendidos tal cual (en el estado en que se encuentran) o con todas sus fallas
- Productos consumibles, tal cómo fusibles o baterías
- Productos en los cuales el número de serie asignado en la fábrica ha sido alterado o removido.

EL REEMPLAZO DE REPARACIÓN SEGÚN PROVISTO BAJO ESTA GARANTÍA ES SU ÚNICO RECURSO. INSIGNIA NO SERÁ RESPONSABLE POR DAÑOS INCIDENTALES O CONSECUENTES DEBIDO AL INCUMPLIMIENTO DE CUALQUIER GARANTÍA EXPRESA O IMPLÍCITA RELACIONADA CON ESTE PRODUCTO, INCLUYENDO PERO SIN LIMITARSE A LA PÉRDIDA DE INFORMACIÓN, LA PÉRDIDA DE NEGOCIOS O DE GANANCIAS. INSIGNIA PRODUCTS NO HACE NINGUNA OTRA GARANTÍA EXPRESA E IMPLÍCITA RELACIONADA A ESTE PRODUCTO, INCLUYENDO PERO SIN LIMITARSE A, CUALQUIER GARANTÍA IMPLÍCITA DE O CONDICIONES DE COMERCIALIZACIÓN O IDONEIDAD PARA UN USO PARTICULAR, ESTÁN LIMITADAS EN DURACIÓN AL PERÍODO DE GARANTÍA DECLARADO ANTERIORMENTE Y NINGUNA GARANTÍA YA SEA EXPRESA O IMPLÍCITA SE APLICARÁ DESPUÉS DEL PERÍODO DE GARANTÍA. ALGUNOS ESTADOS, PROVINCIAS Y JURISDICCIONES NO PERMITEN RESTRICCIONES EN CUANTO A LA DURACIÓN DE UNA GARANTÍA IMPLÍCITA, ASÍ QUE LA RESTRICCIÓN ANTERIOR PUEDE NO APLICARSE EN SU CASO. ESTA GARANTÍA LE DA DERECHOS LEGALES ESPECÍFICOS, Y USTED PUEDE POSEER OTROS DERECHOS QUE VARIAN DE ESTADO A ESTADO, O DE PROVINCIA A PROVINCIA.

Comuníquese con Insignia:

Para servicio al cliente favor llamar al 1-877-467-4289

[www.insignia-products.com](http://www.insignia-products.com)

INSIGNIA™ es una marca comercial de Best Buy Enterprise Services, Inc.

Distribuido por Best Buy Purchasing, LLC

Insignia, 7601 Penn Avenue South, Richfield, Minnesota, U.S.A.



Insignia NS-C2000 Radio reloj con estación de acoplamiento **INSIGNIA®**

# INSIGNIA®

[www.insignia-products.com](http://www.insignia-products.com) (877) 467-4289

Distributed by Best Buy Purchasing, LLC  
7601 Penn Avenue South, Richfield, MN USA 55423-3645  
© 2007 Best Buy Enterprise Services, Inc.

All rights reserved. INSIGNIA is a registered trademark of Best Buy Enterprise Services, Inc.  
All other products and brand names are trademarks of their respective owners.

Distribué par Best Buy Purchasing, LLC  
7601 Penn Avenue South, Richfield, MN USA 55423-3645  
© 2007 Best Buy Enterprise Services, Inc.

Tous droits réservés. INSIGNIA est une marque déposée de Best Buy Enterprise Services, Inc.  
Tous les autres produits ou noms de marques sont des marques de commerce qui appartiennent à leurs propriétaires respectifs.

Distribuido por Best Buy Purchasing, LLC  
7601 Penn Avenue South, Richfield, MN USA 55423-3645  
© 2007 Best Buy Enterprise Services, Inc.

Todos los derechos reservados. INSIGNIA es una marca registrada de Best Buy Enterprise Services, Inc.  
Todos los demás productos y marcas son marcas comerciales de sus respectivos dueños.